



AN ESAB BRAND

# Spec Master – Isolation Valve

6.0 Purity



The Spec Master VAA360 Series Isolation Valves are designed for use in gas control of non-corrosive or toxic, high purity gases up to grade 6.0 purity (99.9999%).

- **VAA36010** | High Pressure Isolation Valve, FKM Seal
- **VAA36011** | High Pressure Isolation Valve, EPDM Seal
- **VAA36012** | High Pressure Purge/Vent/Waste Valve, FKM Seal
- **VAA36013** | High Pressure Purge/Vent/Waste Valve, EPDM Seal

## ★ FEATURES

- Four point configuration (3 Inlet & 1 Outlet)
- Low wetted surface area for minimal purge requirements
- On / Off display (by green / red visual indicator)
- Rear Mounting for Panels
- 1/4 NPT female ports
- Mounting Bracket (optional)

## 🔧 MATERIAL

- **Body** Nickel Plated Brass
- **Piston** 316 L Stainless Steel
- **Valve Seat** PCTFE
- **Seals** FKM / EPDM

## 👍 SPECIFICATION

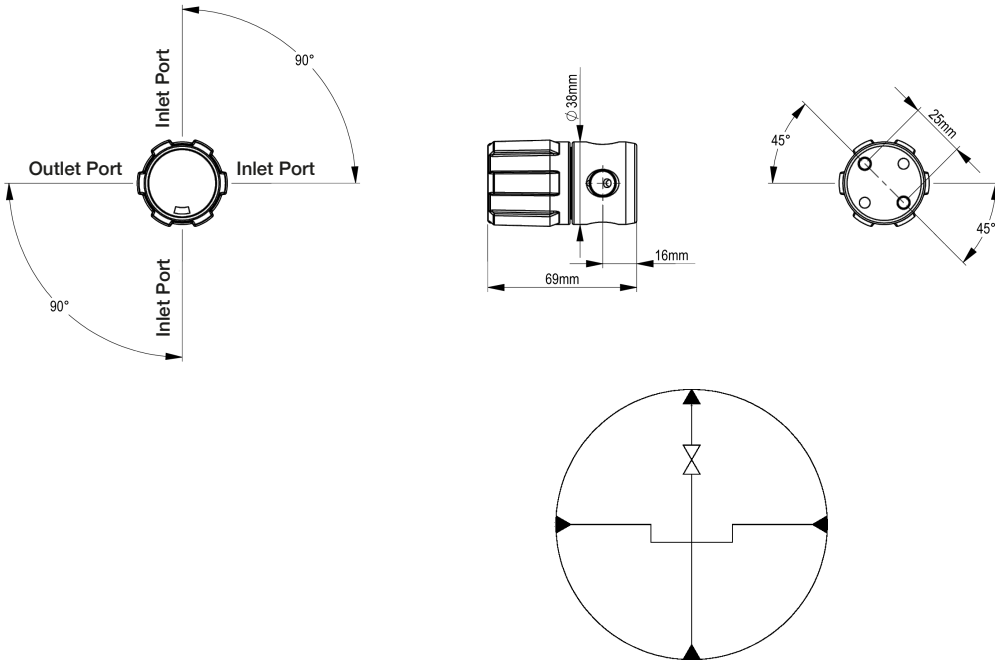
- **Pressure Service** 300 bar (4350 PSI)
- **Weight** 0.45 kg (0.99 lb)
- **Helium Leak Integrity**  $1 \times 10^{-9}$  mbar l/s

## 1 2 3 MODEL NO. SELECTOR GUIDE

Part No.	Inlet Pressure Bar [PSI]	Inlet Connection	Outlet Connection	Seal Type
VAA36010	300 [4350]	1/4 NPT Female	1/4 NPT Female	FKM
VAA36011	300 [4350]	1/4 NPT Female	1/4 NPT Female	EPDM
VAA36012	300 [4350]	1/4 NPT Female	1/4 NPT Female	FKM
VAA36013	300 [4350]	1/4 NPT Female	1/4 NPT Female	EPDM

- **GCP37525** | Mounting Bracket (optional accessory, needs to be ordered separately)

**DRAWINGS**



**Isolation Valve – Mounting Bracket** (optional accessory, needs to be ordered separately)

